

# MIGATRONIC CUT PLASMA TORCH

## PRECISE CUTS WITH COMPRESSED AIR IN ALL METALS



Zeta model used for Zeta 40/60  
Article no. 80690091



Application solution: ZA model



Complete circle  
cutting device  
Article no. 80600200



Fully  
equipped,  
ready for use

High quality  
right-angle  
cuts

Contact  
cutting or  
contact-free  
cutting

Safe ignition  
with pilot arc

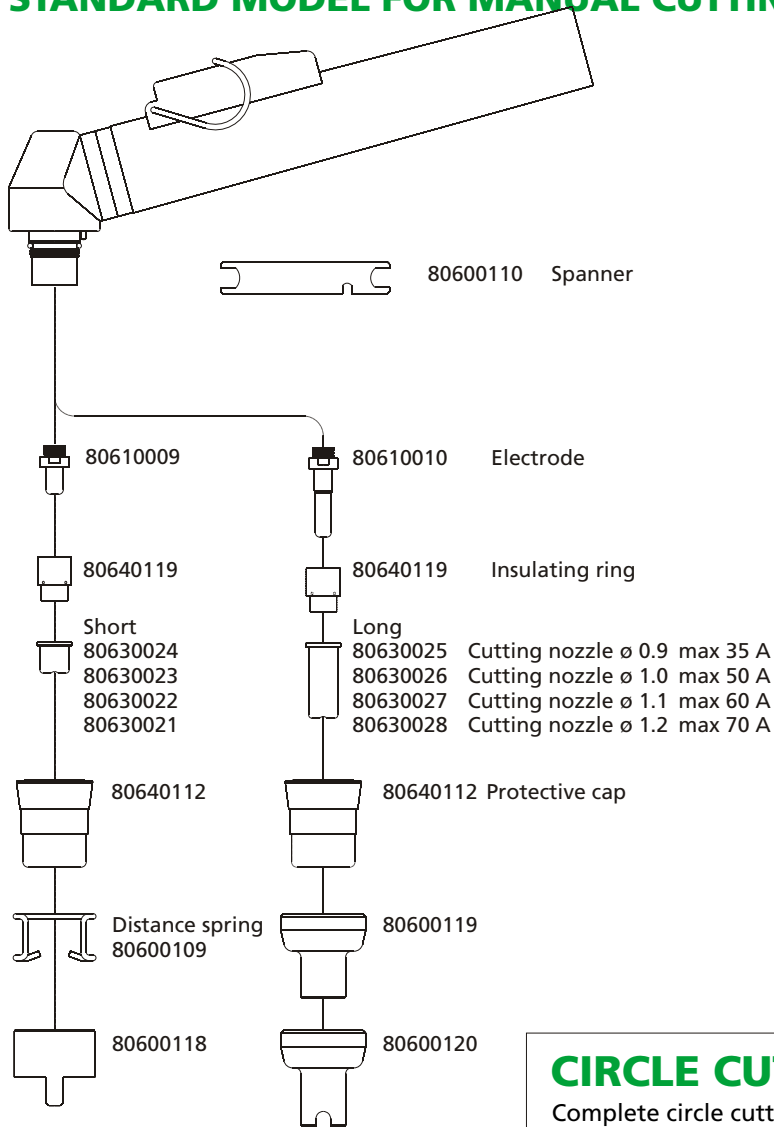
6 m hose  
provides large  
operating  
range

Many  
accessories

Different size  
nozzles for  
any cutting  
operation

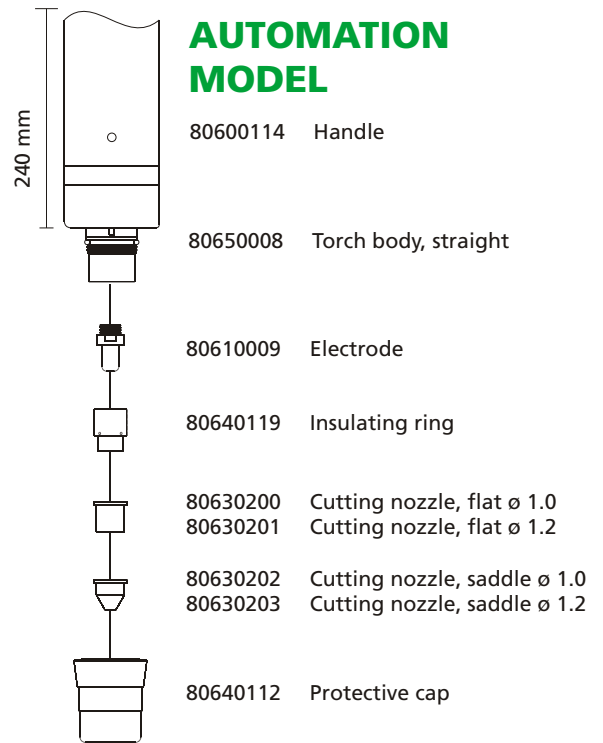
**MIGATRONIC**

## STANDARD MODEL FOR MANUAL CUTTING



Please note:  
Small nozzle holes give better cutting quality but also shorter tool life.

## AUTOMATION MODEL

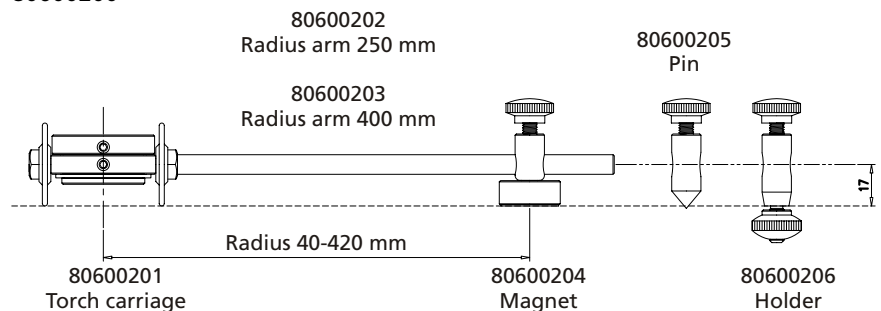


We do not stock the following models but shall be pleased to supply them to order:

1. Automation model
2. Central connection models; when ordering, please state which type of machine the torch is intended for

## CIRCLE CUTTING DEVICE

Complete circle cutting device  
80600200

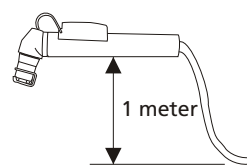


## Technical data

We reserve the right to make changes

| Model             | ZETA                        | ZA                          |
|-------------------|-----------------------------|-----------------------------|
| Current range     | Max 70 A                    | Max 70 A                    |
| Pressure, air     | Min. 4.8 bar                | Min. 4.8 bar                |
| Consumption       | < 130 l/min.                | 130 l/min.                  |
| Cooling           | Air                         | Air                         |
| Weight*           | 0.3 kg                      | 0.3 kg                      |
| Total weight, 6 m | 2.5 kg                      | 2.6 kg                      |
| Connection        | Special                     | Central                     |
| Norm:             | IEC 60974-7<br>IEC 60974-10 | IEC 60974-7<br>IEC 60974-10 |

\* Weight



**Svejsmaskinefabrikken  
Migatronic A/S**  
Aggersundvej 33, Postboks 206  
DK-9690 Fjerritslev, Danmark  
Tel: (+45) 96 500 600  
Telefax: (+45) 96 500 601  
Homepage: www.migatronic.com



52179134

**MIGATRONIC**